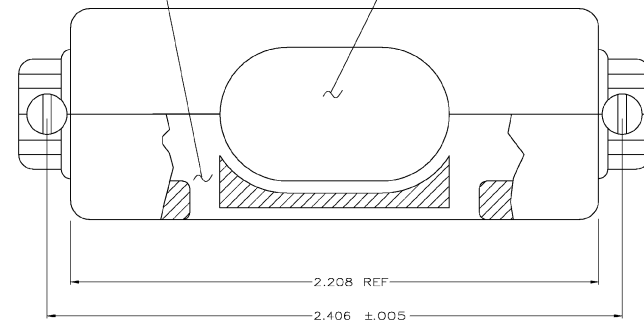


REV	DATE	DESCRIPTION	BY	CHK	APP
00					
C		REVISED PER EC 0513-0512-03	DMARDA	BM	JG

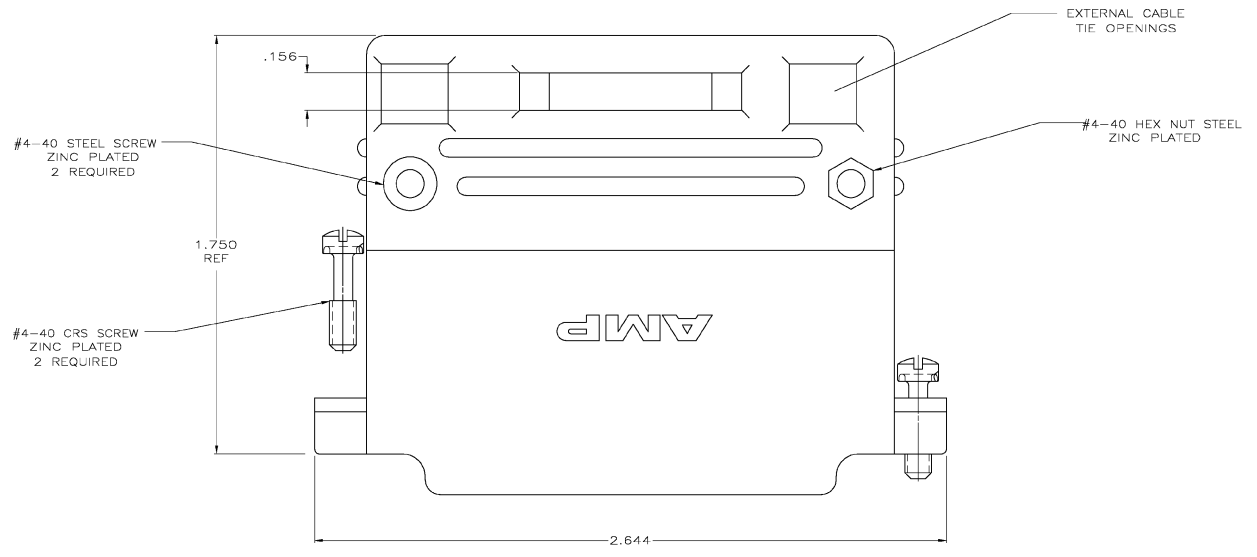
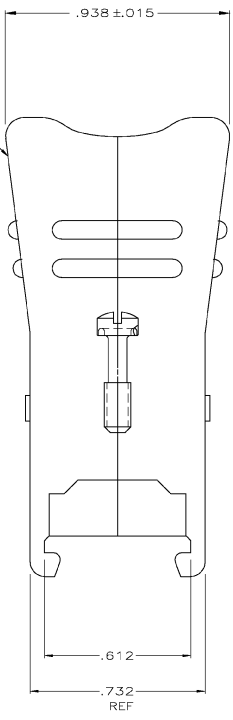
- 1 THIS PART WILL FIT ANY SIZE 5 PLUG OR RECEPTACLE IN THE AMPLIMITE SERIES CONNECTOR.
- 2 ALL PARTS ARE PACKAGED UNASSEMBLED.
- ⚠ ONE KIT PER POLY BAG.
- ⚠ SAME AS -1 EXCEPT BULK PACKAGED.

INTERNAL CABLE TIE OPENINGS

CABLE OPENING OF .471 SQUARE INCHES=.775 DIA



TWO PIECE CABLE SUPPORT HOUSING MATERIAL-THERMOPLASTIC GRAY



OBSELETE	⚠	745082-2
	⚠	745082-1
PACKAGING		PART NUMBER

THIS DRAWING IS A CONTROLLED DOCUMENT.		DRW: MCMMASTER	DRWNO: 051304	DATE: 05/13/03	BY: MCMMASTER	CHK: DMARDA	APP: JG
DIMENSIONS IN INCHES		DESIGNER: MCMMASTER	DRWNO: 051304	DATE: 05/13/03	BY: MCMMASTER	CHK: DMARDA	APP: JG
MATERIAL: SEE CALLOUT		DESIGNER: MCMMASTER	DRWNO: 051304	DATE: 05/13/03	BY: MCMMASTER	CHK: DMARDA	APP: JG
FINISH: SEE CALLOUT		DESIGNER: MCMMASTER	DRWNO: 051304	DATE: 05/13/03	BY: MCMMASTER	CHK: DMARDA	APP: JG
CUSTOMER DRAWING		DESIGNER: MCMMASTER	DRWNO: 051304	DATE: 05/13/03	BY: MCMMASTER	CHK: DMARDA	APP: JG